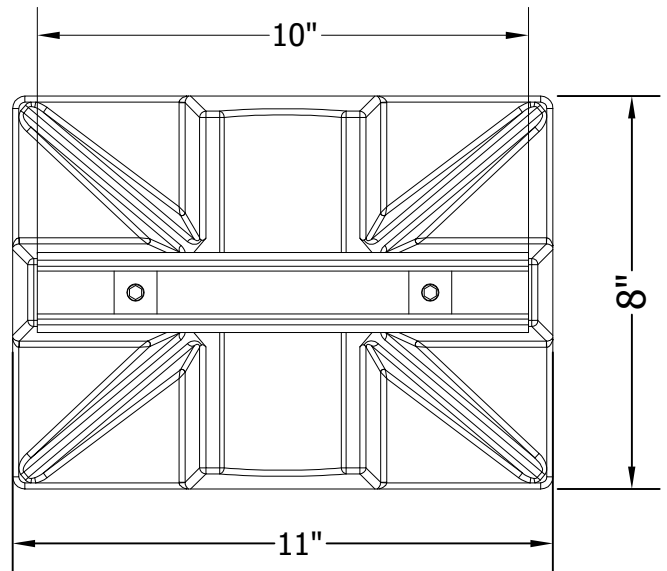
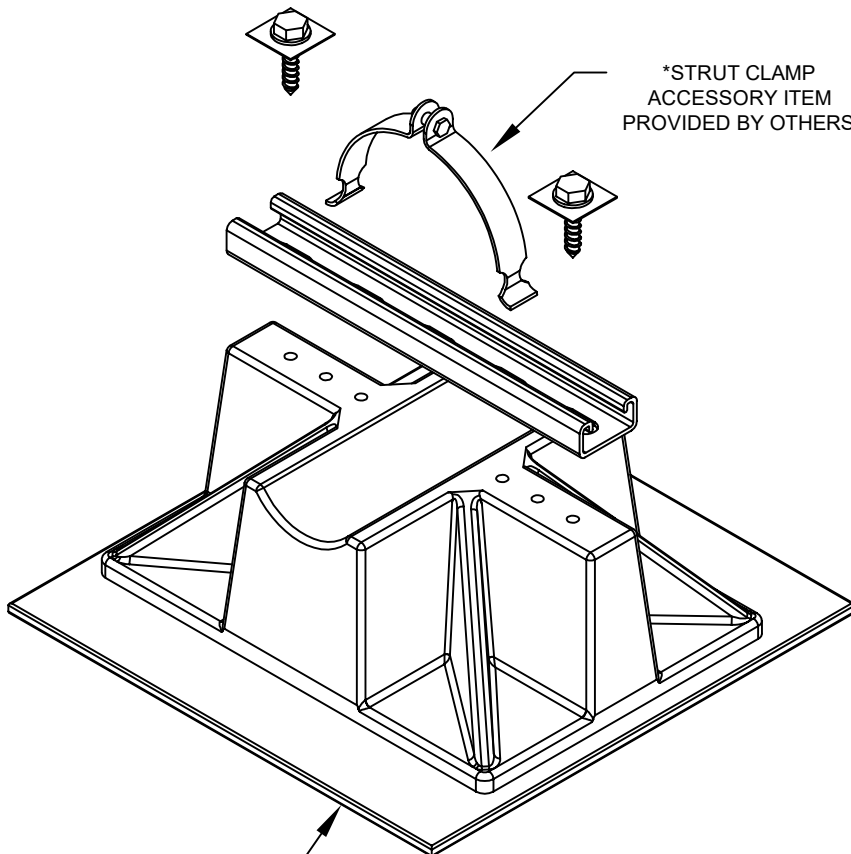


FRONT VIEW



TOP VIEW

***BASE AND STRUT COMES UNASSEMBLED AS SHOWN IN ISO VIEW**



ISOMETRIC VIEW

PRODUCT DESCRIPTION

- 8" X 11" 4.1-lb recycled plastic base.
- 10" X 1-5/8" X 13/16" 14-gage electrogalvanized slotted steel struts (if provided by RSS).
- Installed using (2) #14-1/4" X 1" hex washer head screws, and (2) 1-1/4" X 1-1/4" zinc square washers (if provided by RSS).

ACCESSORY ITEMS

- 12" X 12" base pad.
- Strut clamps.

KEY INFORMATION

- Base Material: Recycled plastic regrind typically 80-90% polyolefins, predominantly high-density polyethylene and polypropylene.
- Coloration will vary due to recycled plastic feedstock.
- Ultimate load shall not exceed 2,500 lbs. per base. To avoid damage to the roof, allowable rooftop loading is not to exceed maximum allowable load per roofing and pipe manufacturer.
- For rooftop application, it is recommended to use a base pad or other sacrificial material between the base and the finished roof surface for maximum membrane protection.
- Space supports per building code for component being supported. Recommended spacing not to exceed 10 foot centers or maximum allowable weight per roofing and pipe manufacturer.

WARRANTY INFORMATION

- 2 year limited warranty.

PROPRIETARY AND CONFIDENTIAL

The information contained in this drawing is the sole property of Rooftop Sleeper Support, Inc. Any reproduction in part or as a whole without written permission of Rooftop Sleeper Support, Inc. is prohibited. Rooftop Sleeper Support is a division of MIRO Industries Inc.

ISSUE DATE

30.MAY.17

SADDLE SUPPORT-10 (SS-10)