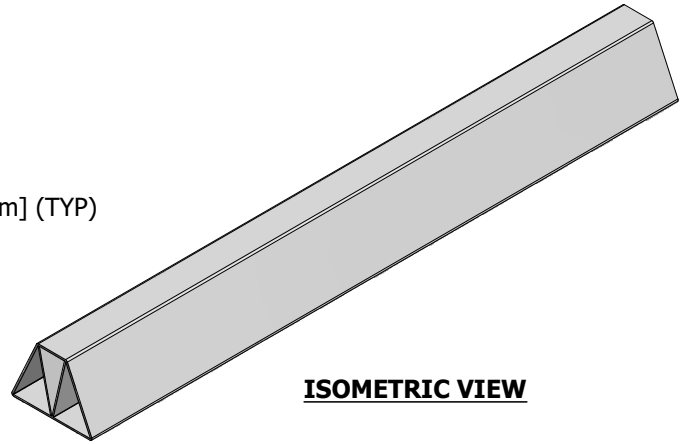
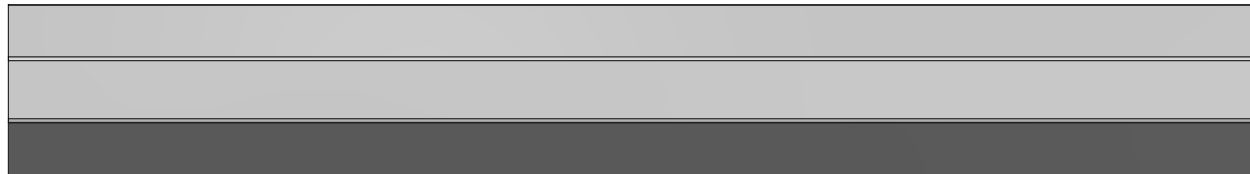


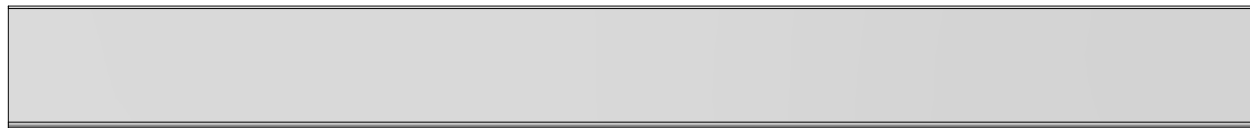
SECTION VIEW



ISOMETRIC VIEW



TOP VIEW



36 in
SIDE VIEW

PRODUCT DESCRIPTION

The RSS-3 Rooftop Sleeper product is designed to support a variety of small electrical pipe, conduit and walkway planks. The RSS-3 is manufactured through a plastic extrusion process using 100% recycled PVC material. The support is designed for installation without roof penetrations, flashing or damage to roofing material and can be used on any commercial roofing system. The RSS-3 is a cost-effective, lightweight solution that can be cut to the desired length. The RSS3 comes in stock lengths of 36" (914.4 mm) and can be cut to length as needed. Suggested minimum length is 6" (152.4 mm) to provide adequate stability.

PIPE CLEARANCE - 3-1/2" (88.7 mm) off the roof.

SUGGESTED ROOFTOP LOADING - Not to exceed 50 lbs. per 6" of support (23 kg per 152.4 mm)

SPACING - Supports should not exceed 10' (3 m) on center.

WARRANTY INFORMATION - Rooftop Sleeper Support shall provide to the original purchaser a limited warranty for each of Rooftop Sleeper Support's products provided under the Sales Terms and Conditions, which can be found at rooftopsleepersupport.com/terms-conditions.html. The terms, limitations and exclusions for the limited warranty for each product are available from Rooftop Sleeper Support upon written request. Rooftop Sleeper Support reserves the right to modify its limited warranty at any time at its sole discretion.